

Photovoltaic Fuses

gPV Fuses

PV1500A Series

The PV1500A Series solar fuse is designed to integrate into an in-line assembly within a wire harness. The PV1500A Capable of withstanding high cycling and low level fault current conditions.

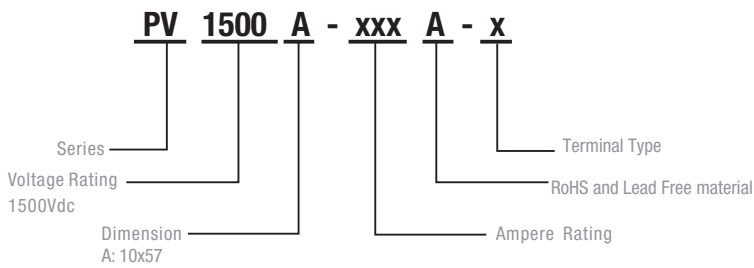


Features

- Compliance with US Requirements
- Ceramic Body construction
- RoHS compliant
- Designed to UL 248-19 Recognized
- Low watts loss



Part Numbering System



Specification

Part Number	Current Rating (A)	Voltage Rating	Interrupting Rating	Energy Integrals I2t (A2S)		Power loss @1.0 In (W)
				Pre-Arcing	Total at 1500V	
PV1500A-2.5A	2.5	1500VDC@10kA		3.7	15.6	2.1
PV1500A-3A	3			17	55	2.1
PV1500A-3.5A	3.5	1500VDC@20kA		17	55	2.2
PV1500A-4A	4			21	73	1.85
PV1500A-6A	6			61	195	2.1

- DC Interrupting Rating - Measured at designated voltage, time constant < 50 microseconds.
- Typical Melting I t measured at 10In Current.
- Typical Voltage Drop measured at rated current after temperature has stabilized.
- Interrupting rating 20kA(Self-Certified)

gPV Fuses

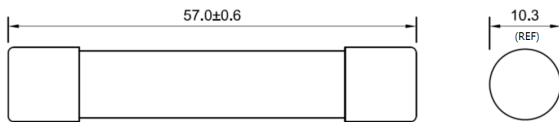
Photovoltaic Fuses

PV1500A Series

Dimension (Unit: mm)

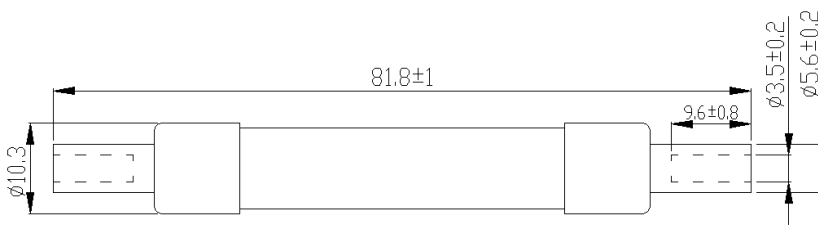
Package/MOQ

Cartridge type, ordering code - PV1500A-xxA



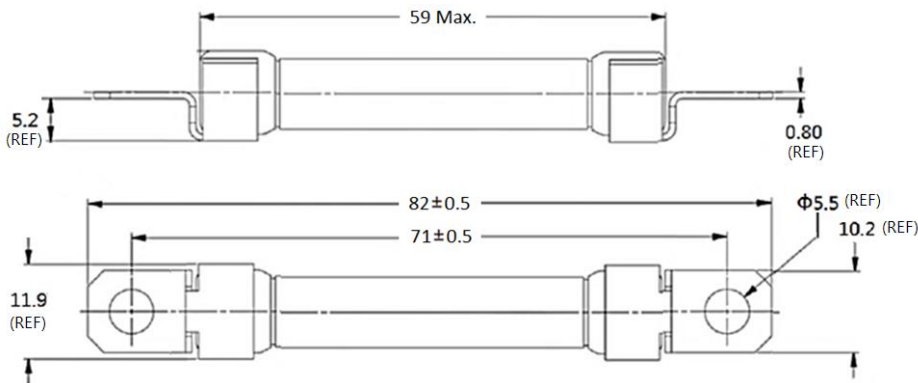
PV1500A-xxA: 20pcs fuses in one carton;
 PV1500A-xxA-I /B: 28pcs fuses in one carton.

In-line crimp terminal type, ordering code - PV1500A-xxA-I

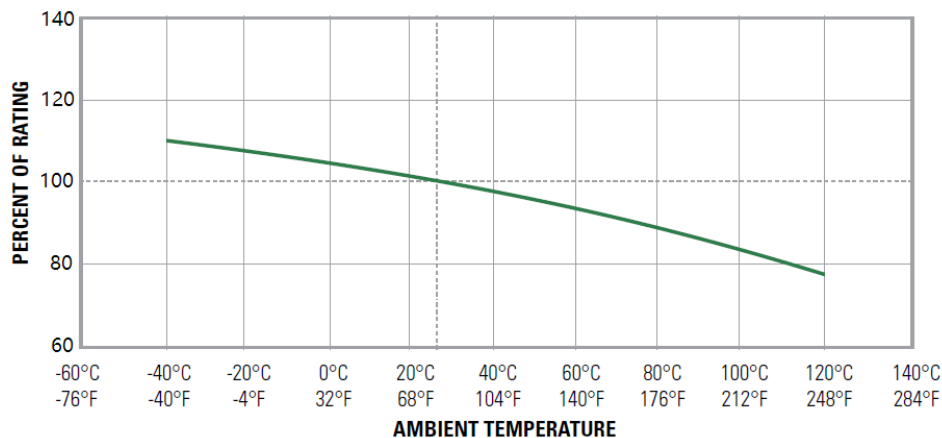


Note: for 10-12AWG (6-4mm²); Recommended Crimping Tool: T&B Sta-Kon ERG4002 or equivalent .

Bolt Down (Axial) type, ordering code - PV1500A-xxA-B



Temperature Re-Rating Curve



gPV Fuses

Photovoltaic Fuses

PV1500A Series

Time Current Curve

