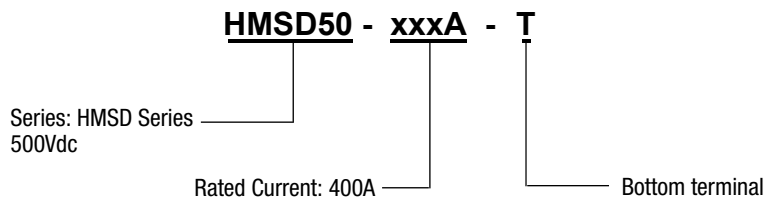


## Description

- Rated Voltage: 500Vdc
- Rated Current: 400-500A
- Breaking Capacity: 50kA@500Vdc ;
- DC fuse for EV/HEV/ESS;
- High interrupting capacity;
- Design to EV fuse standard UL248-20;
- Reliability performance design refer to ISO8820-8&GB/T31465.6;
- Comply RoHS directive

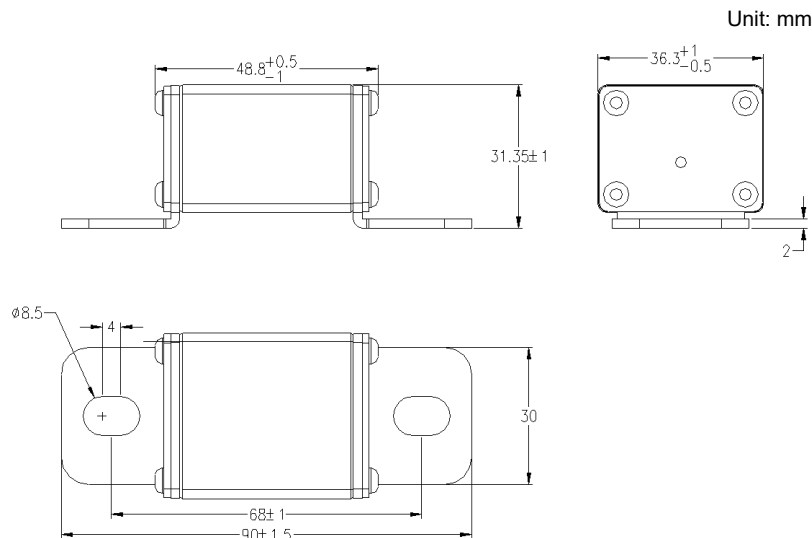
## Part Numbering System



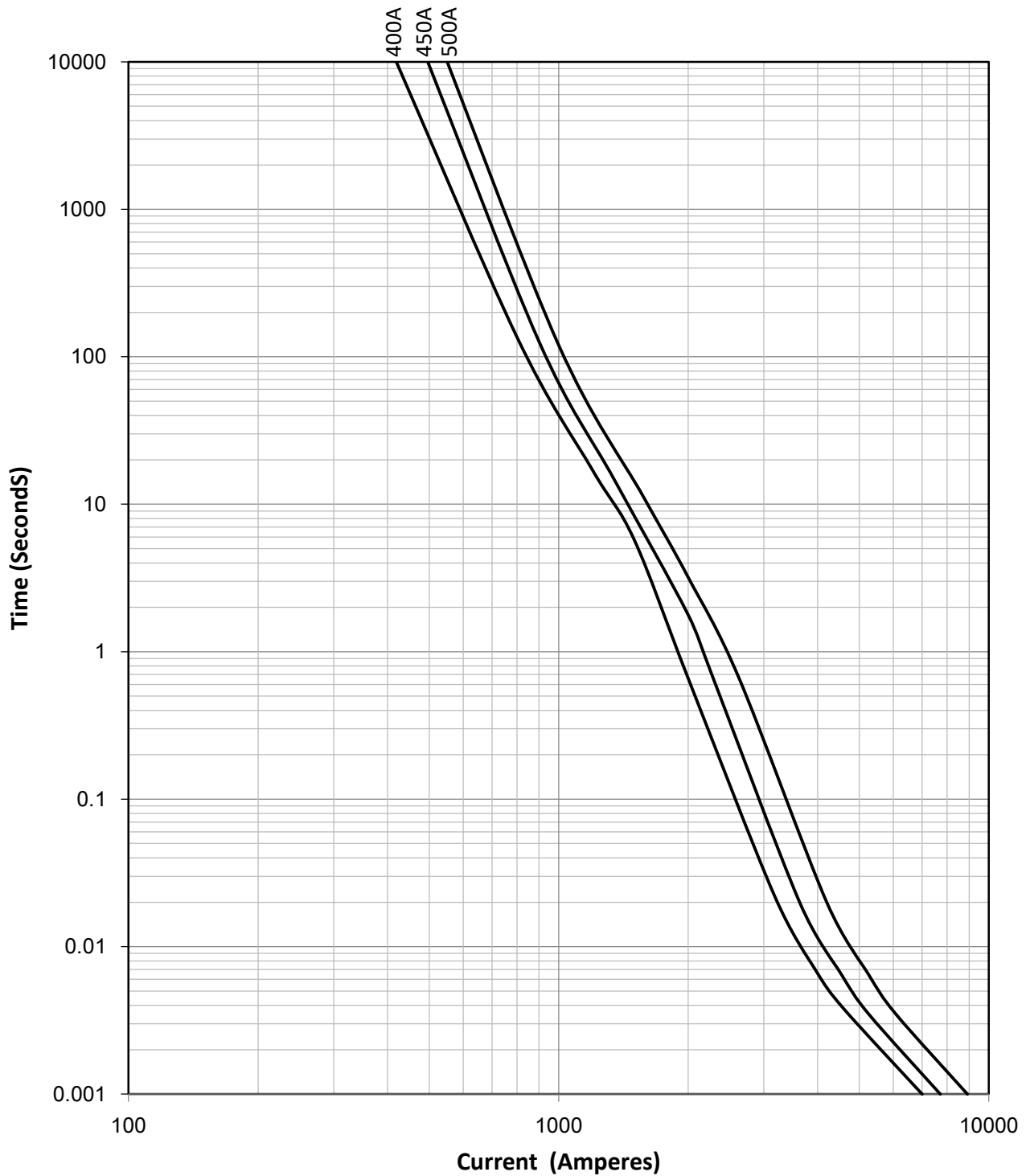
## Electrical Characteristics

Part number	Rated Current (A)	Rated Voltage (VDC)	Breaking Capacity (A)	0.5In Power loss 0.5In (W)
HMSD50-400A-T	400	500	50000	10.6
HMSD50-450A-T	450			11.5
HMSD50-500A-T	500			12.2

## Product Dimension



### Time Current Curve



## Transportation and Storage

Avoid heavy weather attack and mechanical damage;

## Operating Conditions

Where the following conditions apply, fuses complying with this standard are deemed capable of operating satisfactorily without further qualification.

- Normal temperature: -5°C to 40°C;
- The altitude of the site of installation of the fuses does not exceed 2 000 m above sea level;
- The air is clean and its relative humidity does not exceed 50% at the maximum temperature of 40°C;
- Higher relative humidities are permitted at lower temperatures, e.g. 90 % at 20°C;
- Under these conditions, moderate condensation may occasionally occur due to variation in temperature.

## Temperature Rerating Curve

Operating Temperature: -40°C to +105°C, with proper rerating factor applied

