

500Vdc Square Body Fuse HMSB50 Series

Description

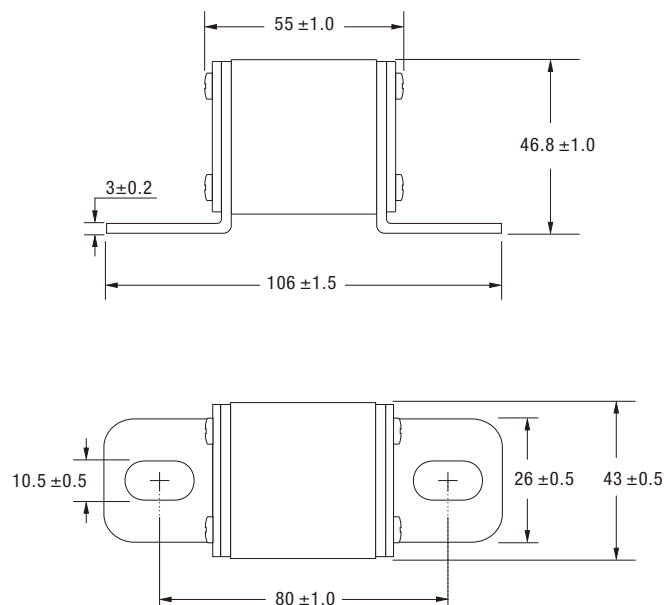
- High Speed Fuse, for Short Circuit Protection
- Designed and tested to IEC 60269 Part 4
- Special terminal design for MSD application
- Operating class : aR

Specifications

Ordering P/N	Rated Current (A)	Rated Voltage (Vdc)	Power Loss 0.5I _n (W)
HMSB50-450A-T	450	500	15
HMSB50-500A-T	500	500	17.5
HMSB50-630A-T	630	500	22
HMSB50-700A-T	700	500	25.8

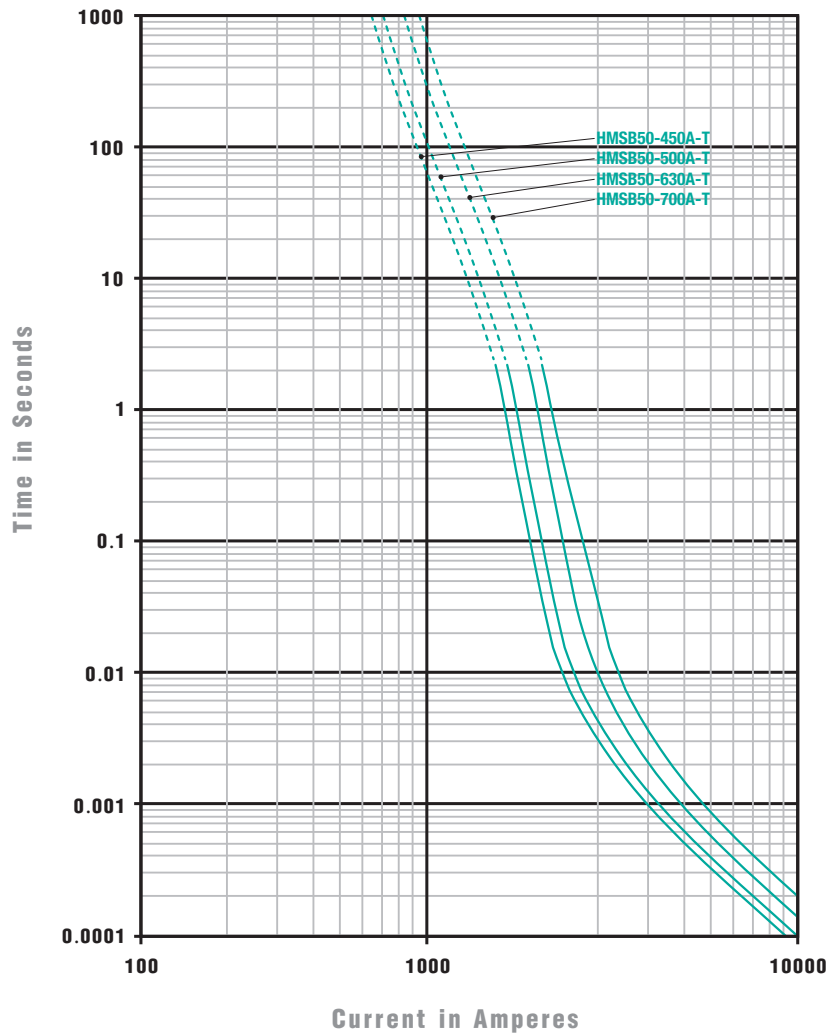
Interrupting rating 20kA

Dimension (mm)



500Vdc Square Body Fuse HMSB50 Series

Time-Current Curve



© 2018 PROSEMI Inc. All Rights Reserved.
 Specifications and features are subject to
 change without notice.
www.prosemitech.com

The PROSEMI logo, and all other PROSEMI
 trademarks are the property of PROSEMI Inc.
 All other trademarks are the property of their
 respective owners.

Rev No. 2018051939D