

800Vdc Square Body Fast Acting Fuse H8SA Series

Description

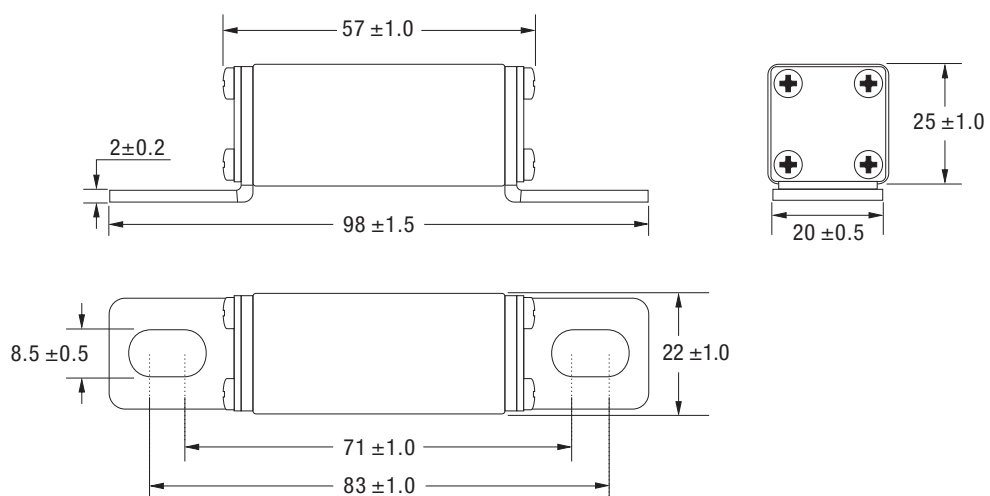
- Ultra compact size
- Designed and tested to UL248-20, ISO 8820-8 & GB/T31465.6
- Fast acting fuse for EV/HEV, Charging point and Energy storage battery Application
- Higher interrupting rating protects
- RoHS compliant
- Excellent DC performance

Specifications

Part Number	Rated Current (A)	Rated Voltage (Vdc)	I^2t (A ² S) Melting Pre-arc	Power Loss At 1.0In (W)
H8SA-100A-TA	100	800	3,003	20
H8SA-150A-TA	150	800	9,015	24
H8SA-200A-TA	200	800	20,560	31

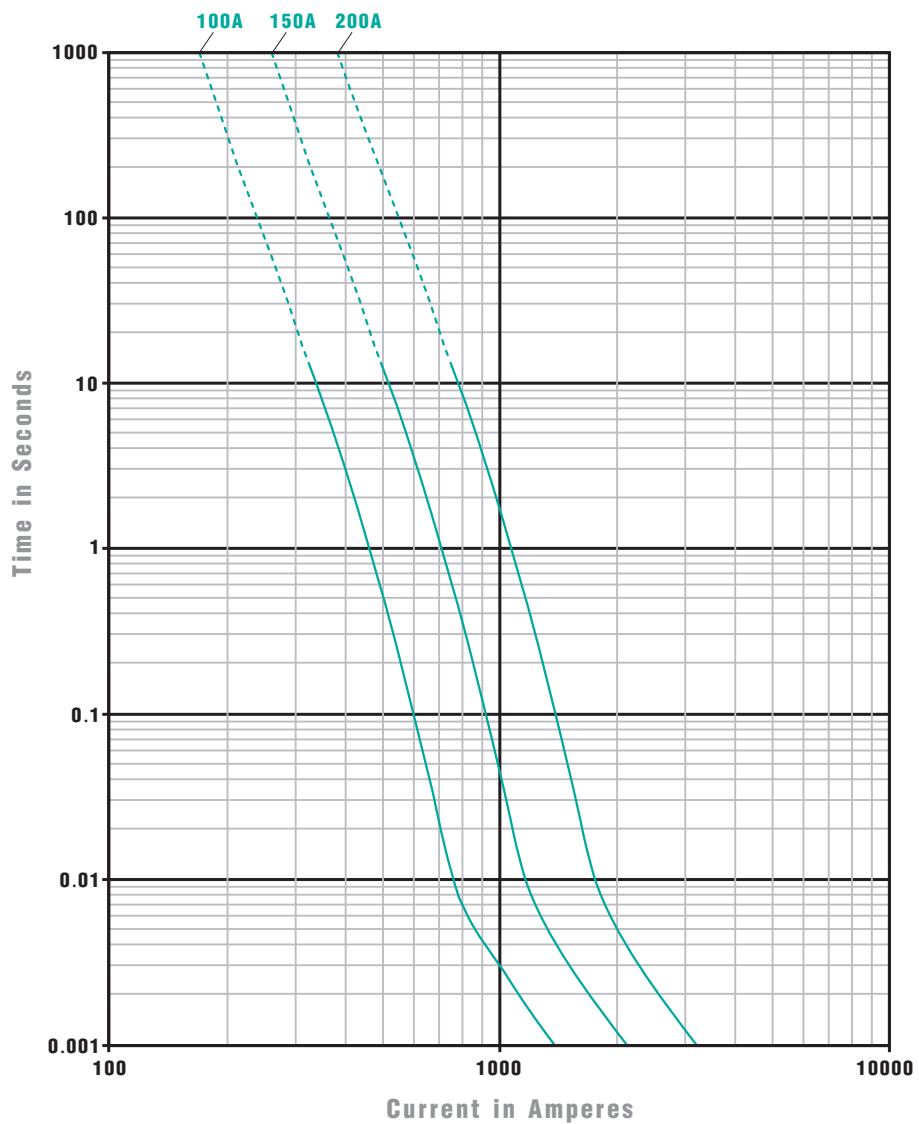
Interrupting rating 50kA@800Vdc
Operating ambient temperature range: -40°C to +125°C

Dimension (mm)



800Vdc Square Body Fast Acting Fuse H8SA Series

Time-Current Curve



© 2018 PROSEMI Inc. All Rights Reserved.
 Specifications and features are subject to
 change without notice.
www.prosemitech.com

The PROSEMI logo, and all other PROSEMI
 trademarks are the property of PROSEMI Inc.
 All other trademarks are the property of their
 respective owners.