

Square Body Fuse

H2SA Series



Description

- DC fuse for EV/HEV/ESS;
- Stud-mount, optional for other installation;
- 200Vdc/315Vdc ideal for EV or HEV application ;
- Excellent DC performance;
- Design to EV fuse standard UL248-20 ;
- Reliability performance design refer to ISO8820-8&GB/T31465.6;
- Comply RoHS directive.

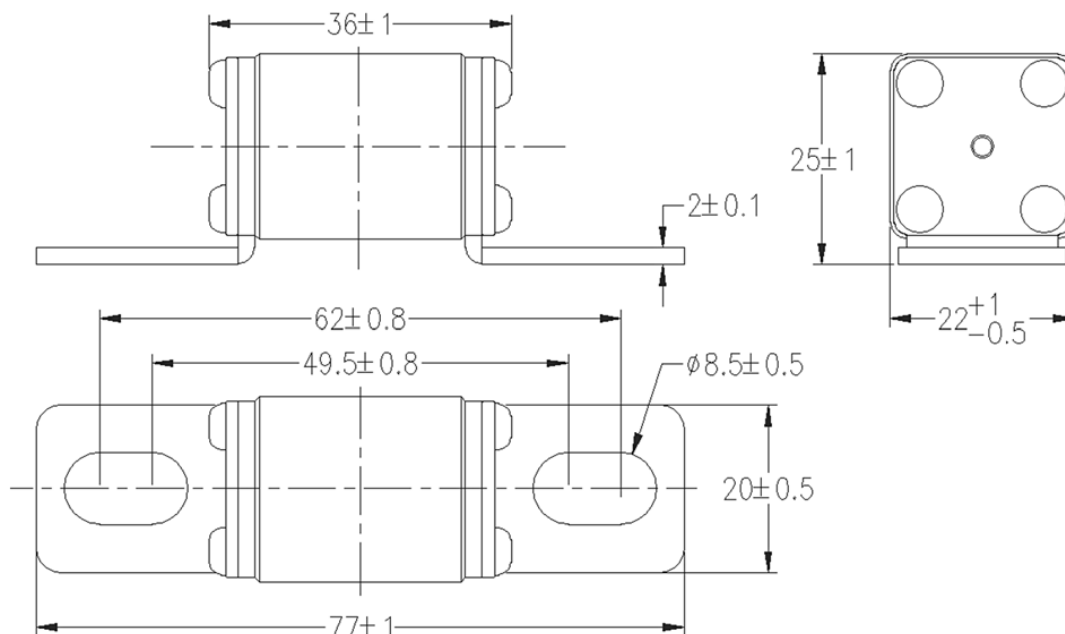


Specifications

Part Number	Rated Current (A)	Rated Voltage (Vdc)	Breaking Capacity (A)	Typ. Pre-arcing I ² t (A ² sec)	Power Loss (W)
H2SA-150A-TA	150	200Vdc 315Vdc	50kA @ 200Vdc 6kA @ 315Vdc *	4500	23.1
H2SA-175A-TA	175			6600	25.2
H2SA-200A-TA	200			8500	27.5
H2SA-250A-TA	250			16000	30.5
H2SA-300A-TA	300	200Vdc	50kA @ 200Vdc	29000	34.3
H2SA-350A-TA	350			31500	37.5

Note: 1. I²t is measured with 10In;
2. Self-certified for IR 315Vdc/6kA;

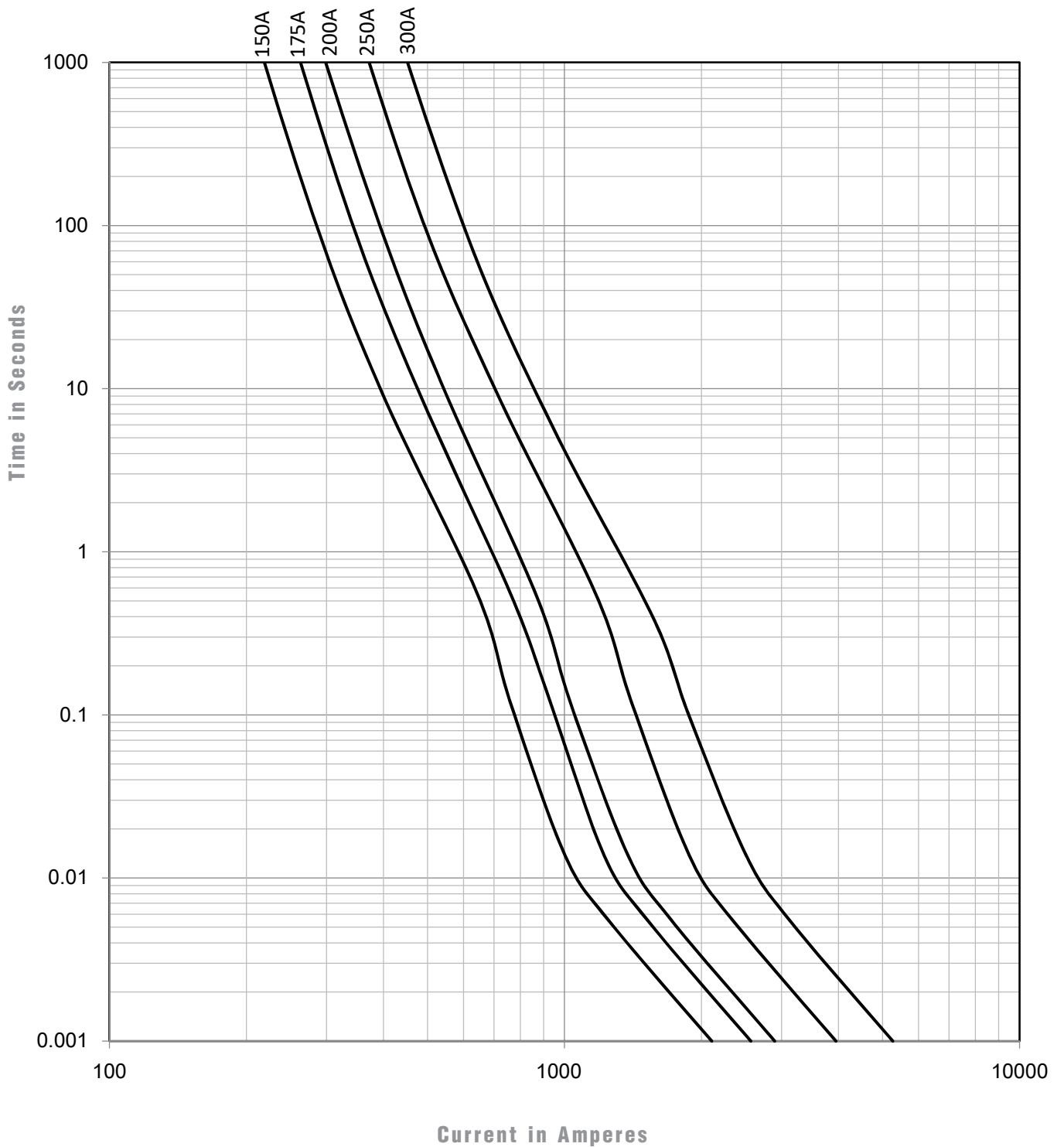
Dimension (mm)



Note: Recommend tightening torque is 12+/-1.0Nm (M8);

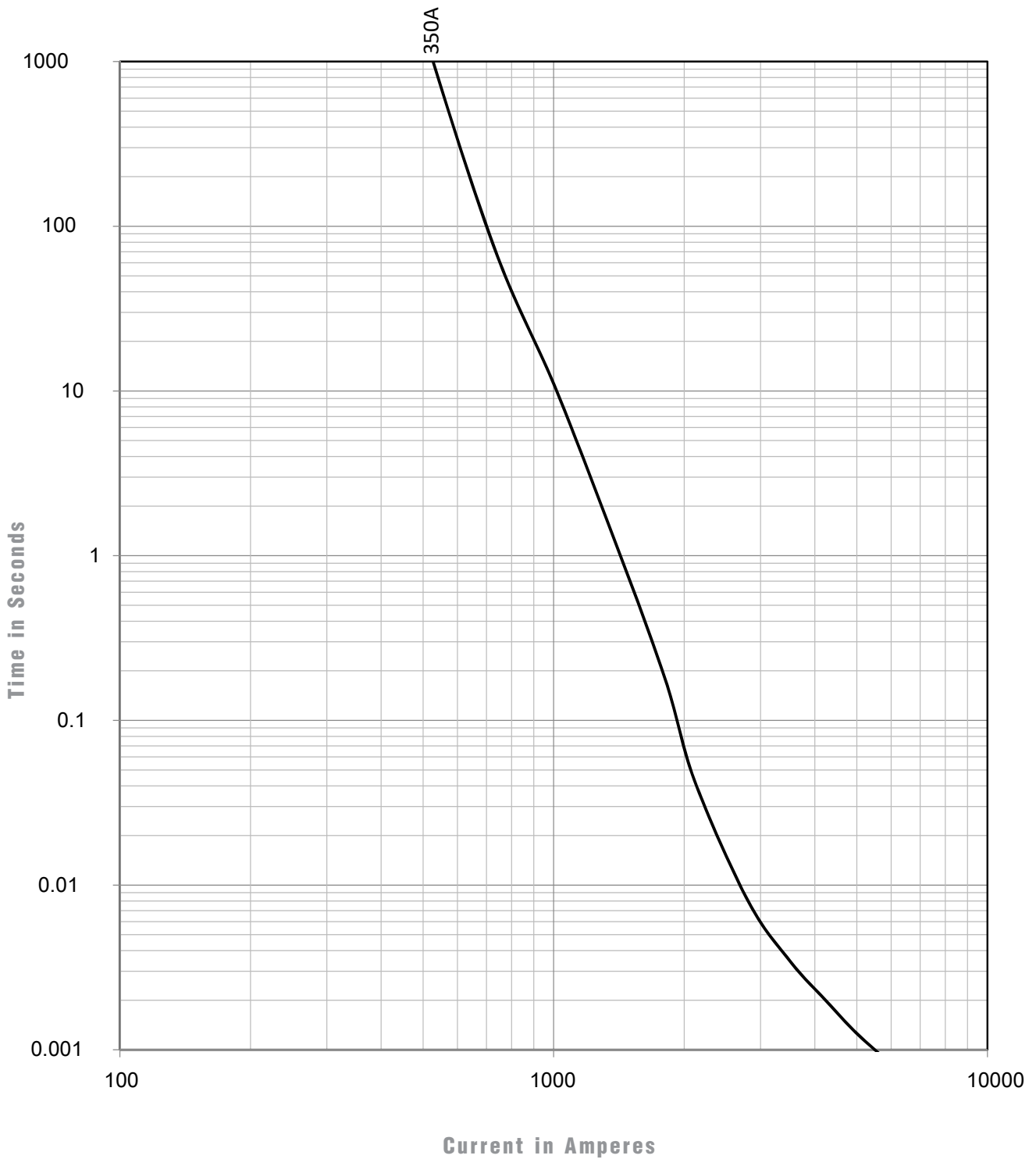
Square Body Fuse H2SA Series

Time-Current Curve



Square Body Fuse H2SA Series

Time-Current Curve



Square Body Fuse

H2SA Series

Transportation and Storage

During transportation and storage, should avoid water seepage and mechanical damage.

Conditions for operation in service

Where the following conditions apply, fuses complying with this standard are deemed capable of operating satisfactorily without further qualification.

- Normal temperature: -5 °C to 40 °C;
- The altitude of the site of installation of the fuses does not exceed 2000 m above sea level;
- The air is clean and its relative humidity does not exceed 50% at the maximum temperature of 40 °C;
- Higher relative humidities are permitted at lower temperatures, e.g. 90 % at 20 °C;
- Under these conditions, moderate condensation may occasionally occur due to variation in temperature.

For operation condition other than above, please contact manufacturer.

Vibration

Meet UL248-20 Section 8.6.2.3 Vibration Test C requirement, can be use on Electrical Vehicle application.

Temperature Rerating Curve

Operating Temperature: -40°C to +125°C, with proper rerating factor applied

