

# 800Vdc Square Body Fuse E8SD Series

## Description

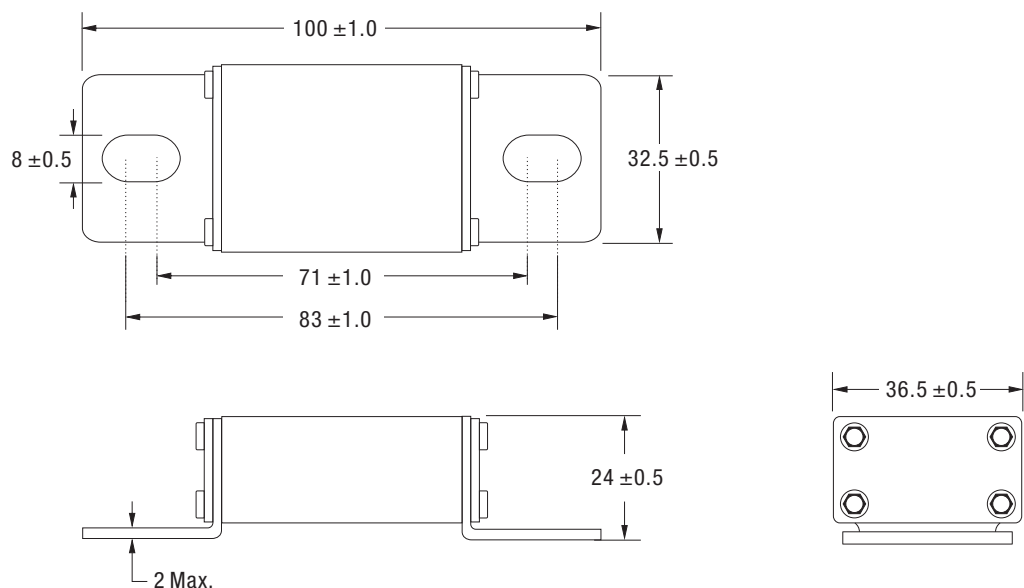
- Fast Acting Fuse, for Short Circuit Protection
- Designed and tested to IEC 60269 Part 4
- Fast Acting fuse for DC Application
- Operating class : aR
- Excellent DC performance

## Specifications

Part Number	Rated Current (A)	Rated Voltage (Vdc)	Interrupting rating (A)
E8SD-250A-TA	250	800	20,000
E8SD-315A-TA	315	800	20,000
E8SD-350A-TA	350	800	20,000
E8SD-400A-TA	400	800	20,000

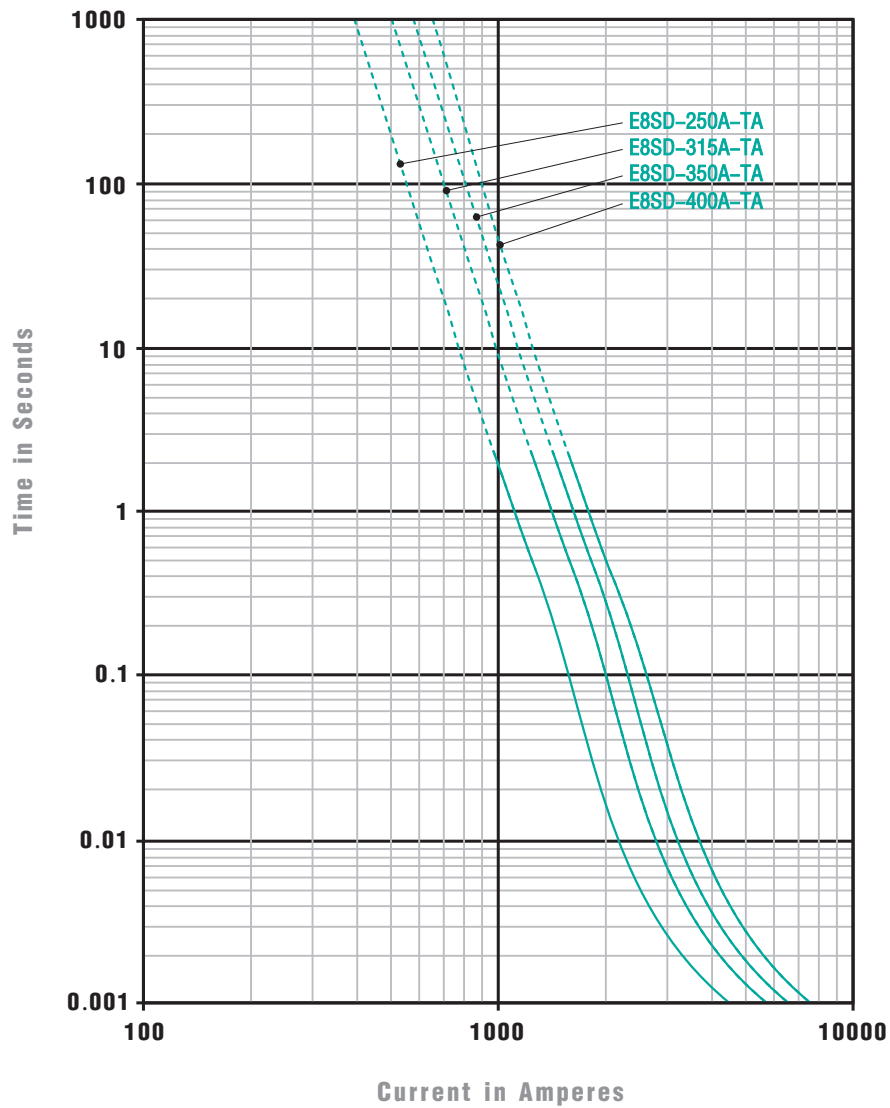
Temperature Rise : < 50K with 50% of rated current

## Dimension (mm)



# 800Vdc Square Body Fuse E8SD Series

## Time-Current Curve



© 2018 PROSEMI Inc. All Rights Reserved.  
 Specifications and features are subject to  
 change without notice.  
[www.prosemitech.com](http://www.prosemitech.com)

The PROSEMI logo, and all other PROSEMI  
 trademarks are the property of PROSEMI Inc.  
 All other trademarks are the property of their  
 respective owners.