

Fast Acting | 750VDC ESS/EV/HEV Fuses

E7SD Series



Features

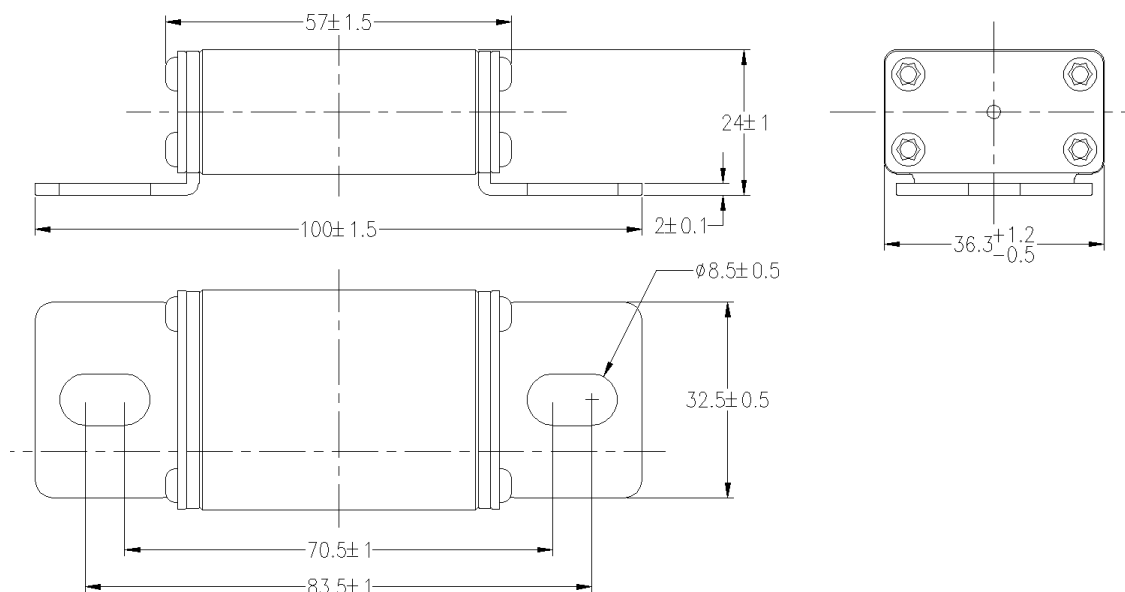
- Fast Acting fuse for ESS/EV DC Application
- Excellent DC performance
- RoHS compliant
- Design to UL248-1 & UL248-20

Specification

Part Number	Ampere Rating (A)	Voltage Rating	Interrupting Rating	I ² t (A ² Sec)		Power loss (W)
				Pre-arcing	Total @750Vdc	
E7SD-200A-TA	200A	750VDC @ 20kA 750VDC @ 50kA	L/R 2ms L/R 2ms *	7560	39300	33
E7SD-250A-TA	250A			12600	68650	39

- Temperature Rise : <50K with 50% of rated current
- Self-certified for 50kA Breaking Capacity

Dimension (mm)



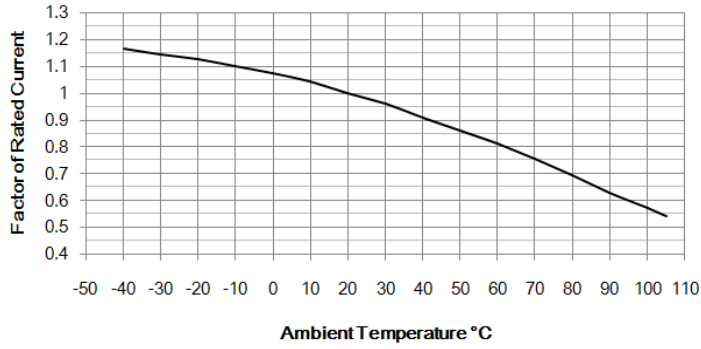
Note:
Recommended installation torque: 12+/-1Nm (M8)

Fast Acting | 750VDC

ESS/EV/HEV Fuses

E7SD Series

Temperature Derating Curve



Time Current Curve

