

Square Body | 500VDC

EV/HEV Fuses

E5SD Series



Features

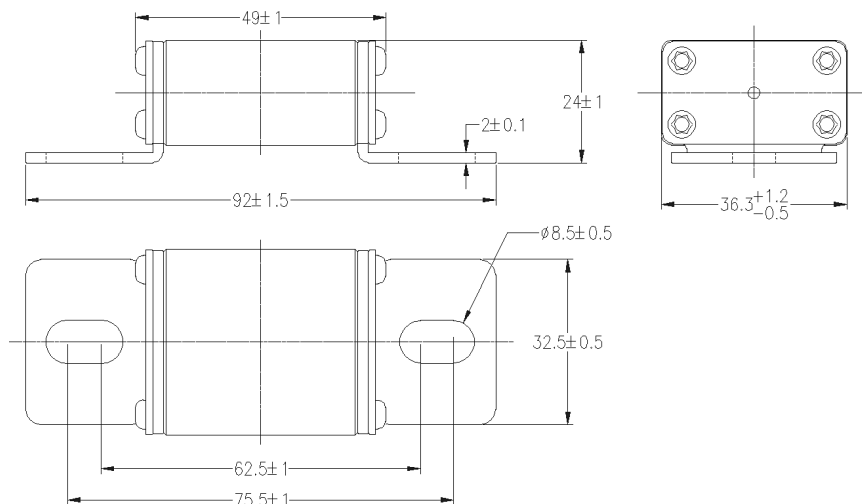
- DC fuse for EV/HEV
- Excellent DC performance
- RoHS compliant
- Stud-mount

Specification

Part Number	Ampere Rating (A)	Voltage Rating	Interrupting Rating	I ² t (A ² Sec)		Power loss (W)
				Pre-arcing	Total @500VDC	
E5SD-150A-TA	150A	500VDC @ 50kA L/R 2ms		4300	12470	3.55
E5SD-200A-TA	200A			9150	31100	4.75
E5SD-250A-TA	250A			15200	45600	5.50
E5SD-300A-TA	300A			20500	67500	7.10
E5SD-350A-TA	350A			32600	107580	7.85
E5SD-400A-TA	400A			42250	148000	9.80

o Temperature Rise : <=50K with 50% of rated current

Dimension (mm)

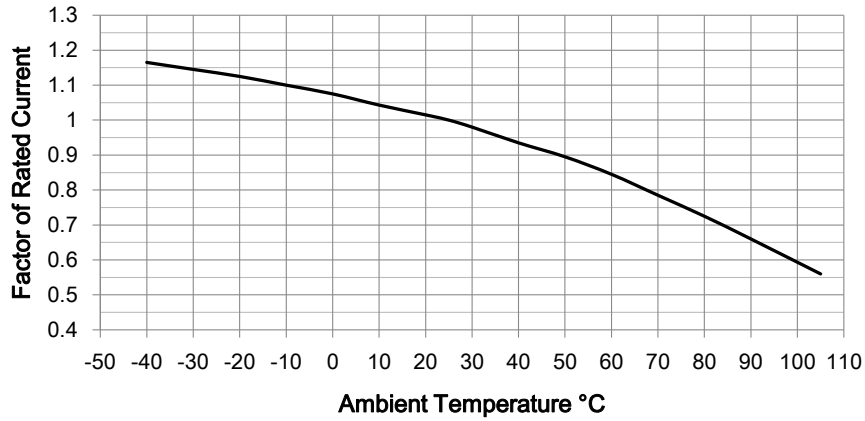


Note:
Recommended installation torque: 12 +/- 1 Nm (M8)

Square Body | 500VDC

EV/HEV Fuses E5SD Series

Temperature Derating Curve



Time Current Curve

