

DC Fuse for EV/HEV

E2ETS Series

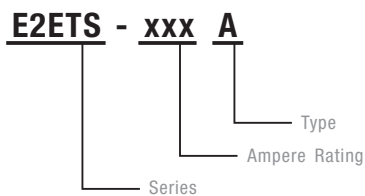
EV Fuses



Features

- 250Vdc ideal for EV/HEV/ESS application
- Excellent DC performance
- Low watts loss
- Designed to: JASO D622 & ISO 8820-8
- Ultra compact size
- Stud-mount

Part Numbering System



Electrical Characteristics

Amp Rating(A)	% of Amp Rating	Opening Time
200~500A	200%	300 sec Max.
200~500A	300%	30 sec Max.
200~500A	500%	10 sec Max.

Specification

Part Number	Rated Current (A)	Rated Voltage (VDC)	Interrupting Rating	I ² t (A ² Sec)	
				Pre-arcing	Total @ 250Vdc
E2ETS-200A	200	250	50,000A	6820	18100
E2ETS-250A	250			12700	33655
E2ETS-300A	300			18500	48050
E2ETS-350A	350			28750	76180
E2ETS-400A	400			43700	124000
E2ETS-450A	450			56350	160500
E2ETS-500A	500			67600	195000

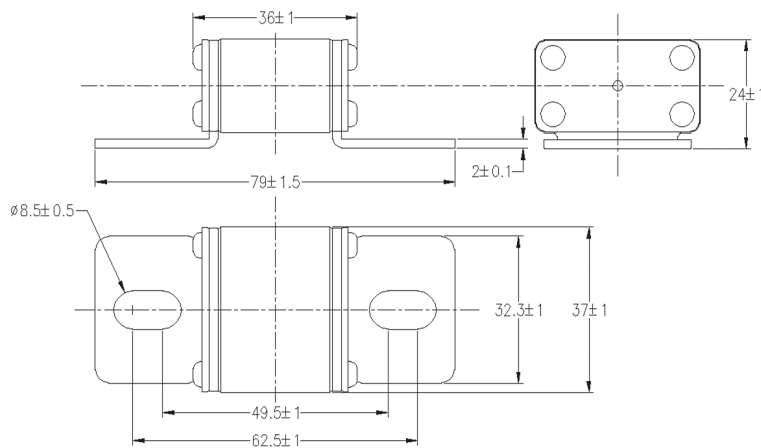
◦ Temperature Rise : ≤ 50K with 50% rated current

DC Fuse for EV/HEV

EV Fuses E2ETS Series

Dimension

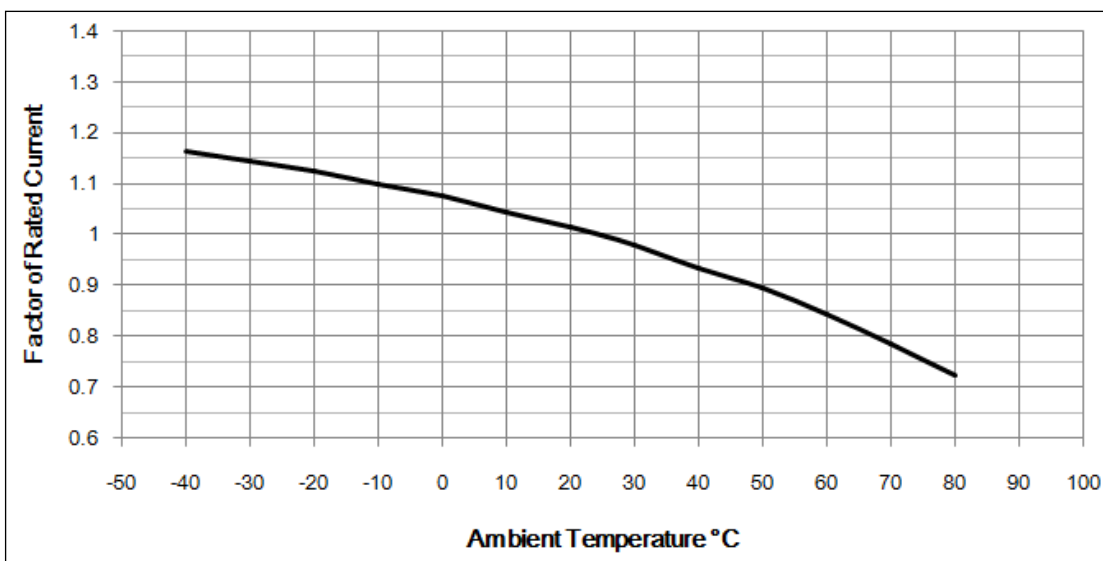
Unit: mm



Packaging

- 1 pcs fuse in one carton

Temperature Re-Rating Curve

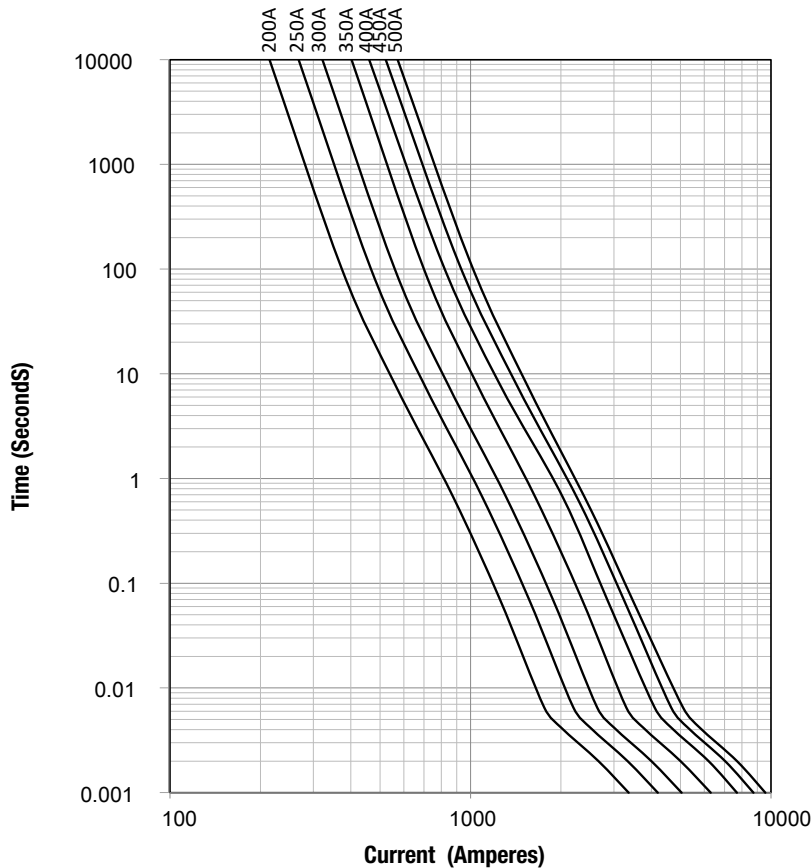


DC Fuse for EV/HEV

EV Fuses

E2ETS Series

Time-Current Curve



Transportation and Storage

During transportation and storage, should avoid water seepage and mechanical damage

Conditions for operation in service

Where the following conditions apply, fuses complying with this standard are deemed capable of operating satisfactorily without further qualification;

Normal temperature: -5°C to 40°C;

The altitude of the site of installation of the fuses does not exceed 2 000 m above sea level;

The air is clean and its relative humidity does not exceed 50 % at the maximum temperature of 40°C;

Higher relative humidities are permitted at lower temperatures, e.g. 90 % at 20°C;

Under these conditions, moderate condensation may occasionally occur due to variation in temperature.

For operation condition other than above, please contact manufacturer.

Vibration

Meet JASO D622:2006 Section 6.3.3 Vibration durability test requirement, can be use on Electrical Vehicle application;