

# Size 2725/2728 Ultra Low Ohm Chip Resistors

## LMR2725/2728 Series

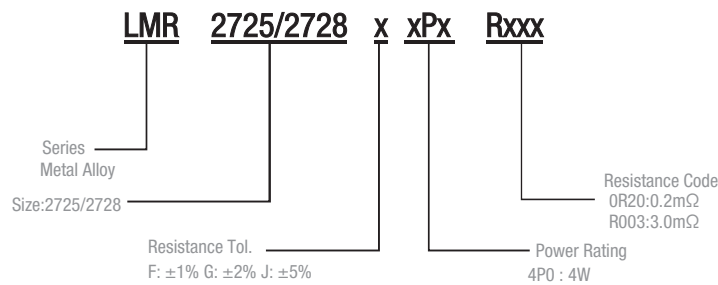
### Features

- Resistance value: 0.2-50 mΩ
- Tolerance: ±1%, ±2%, ±5%
- Power: 4W
- Temperature coefficient: ±50ppm/°C
- Electron-beam welding
- Recommended operating temperature range: -55°C ~ +170°C
- Customized special specification size



### Applications

- Over current protection
- Current sense applications
- Servo motor control circuits
- Intelligent power modules
- Industrial PC modules and precision measurement system
- Current detection circuits in high-speed CPU peripherals



### Standard Electrical Specifications

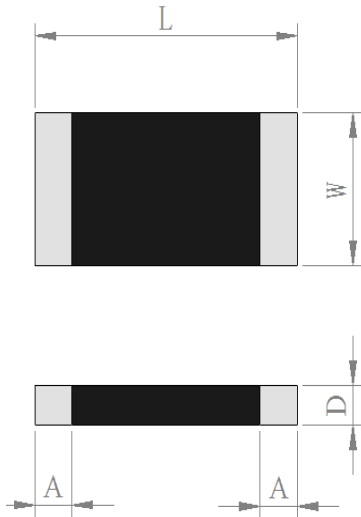
Size	Power (W)	Resistance (mΩ)	TCR (ppm/°C)	Operating Temperature (°C)
2725	4	0.2~0.25	±200	-55°C ~ +170°C
		0.5	±100	
		1~2		
		3	±75	
2728	4	4~50	±75	

## Size 2725/2728

# Ultra Low Ohm Chip Resistors

# LMR2725/2728 Series

### Products & Recommend Pad Dimension



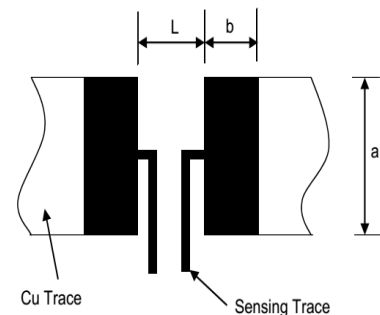
Unit: mm

Type	Resistance	L±0.25	W±0.25	A±0.20	D±0.10
2725	0.2~0.25mΩ	6.8±0.25	6.5±0.25	1.7±0.25	1.2±0.1
	0.5mΩ			1.2±0.25	
	1~2mΩ			1.0±0.25	
	3mΩ				
2728	4~50mΩ	6.8±0.2	7.2±0.2	1.1±0.2	1.0±0.15

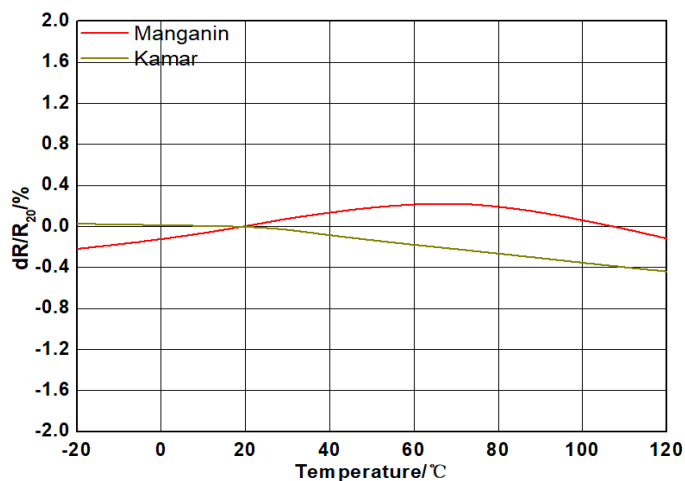
### Recommend Solder Pad Dimensions

Unit: mm

Type	Resistance	a	b	L
2725	0.2~0.25mΩ	6.86	3.18	1.32
	0.5~3mΩ		2.28	
2728	4~50mΩ	7.82	2.75	3.51



### TCR Derating Curve

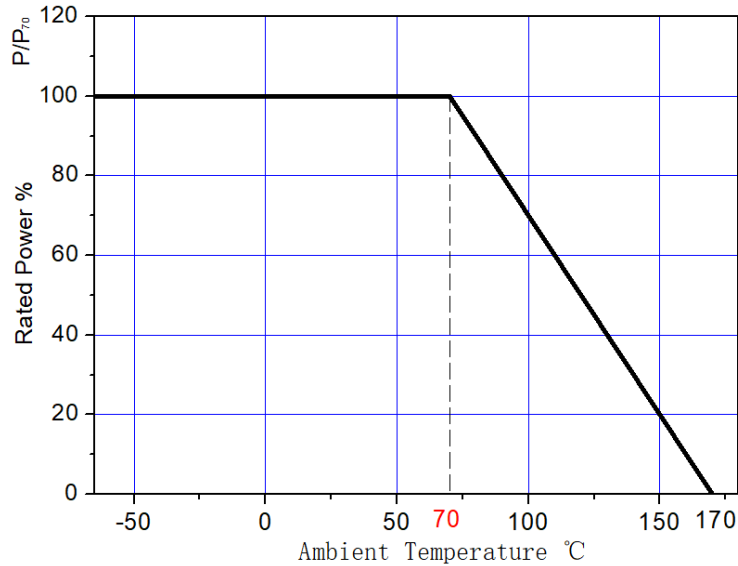


Size 2725/2728

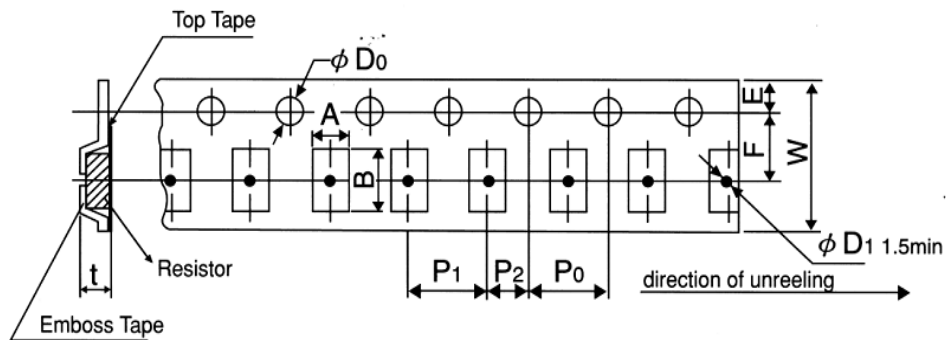
Ultra Low Ohm Chip Resistors

LMR2725/2728 Series

Power Derating Curve



Tapping & Package



Type	Pack	A ±0.2	B ±0.2	W ±0.5	E ±0.1	F ±0.05	P0 ±0.1	P1 ±0.1	P2 ±0.1	D0 ±0.2	D1 ±0.05	T ±0.15
2725	Emboss	6.80	7.20	12.0	1.75	5.50	4.00	8.00	2.00	1.50	1.50	1.70
2728	Emboss	7.70	7.20	12.0	1.75	5.50	4.00	12.00	2.00	1.50	1.50	1.50

Packaging

• Quantity: 1,000pcs