

Fast Acting | 2410(6.5x1.6mm) Brick Fuses

2410BP Series

2410BP Series fuse for the small size and good electrical performance, reliability and quality.



Features

- Compatible with reflow
- One time positive disconnect
- RoHS compliant
- Designed to UL 248-14



Electrical Characteristics

Amp Rating	% of Amp Rating	Opening Time
30A	100%	4 Hours Min.
30A	200%	0sec Max.

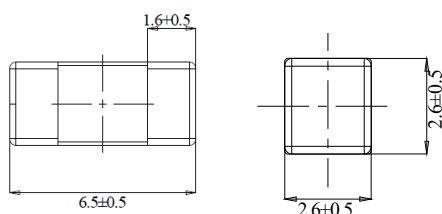
Specification

Part Number	Ampere Rating (A)	Voltage Rating	Interrupting Rating	Typical Cold Resistance (mΩ)	Typical Melting I ² t (A ² Sec)	Typical Voltage Drop (mV)
2410BP-30A-E	30	72Vdc @ 500A		1.10	1000	50

- DC Interrupting Rating (measured at designated voltage, time constant of less than 50 microseconds, battery source)
- DC Cold Resistance are measured at <10% of rated current in ambient temperature of 25 C
- Typical Pre-arcing I²t are measured at 10In Current

Dimension

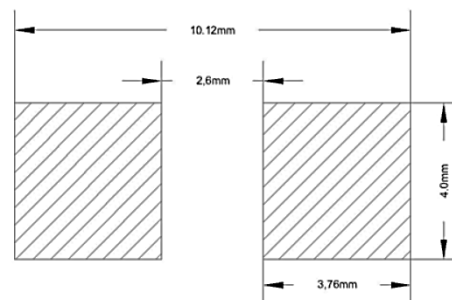
Unit: mm



Packaging

Quantity: 1,000pcs
12mm tape-and-reel per EIA Standard 481.

Recommended land pattern (mm)



Note: Minimum copper layer thickness = 100um.

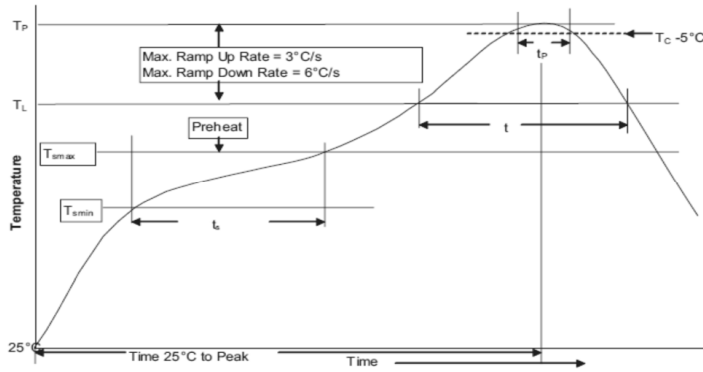
Recommend Stencil thickness is 0.15mm

Fast Acting | 2410(6.5x1.6mm)

Brick Fuses

2410BP Series

Soldering Parameters

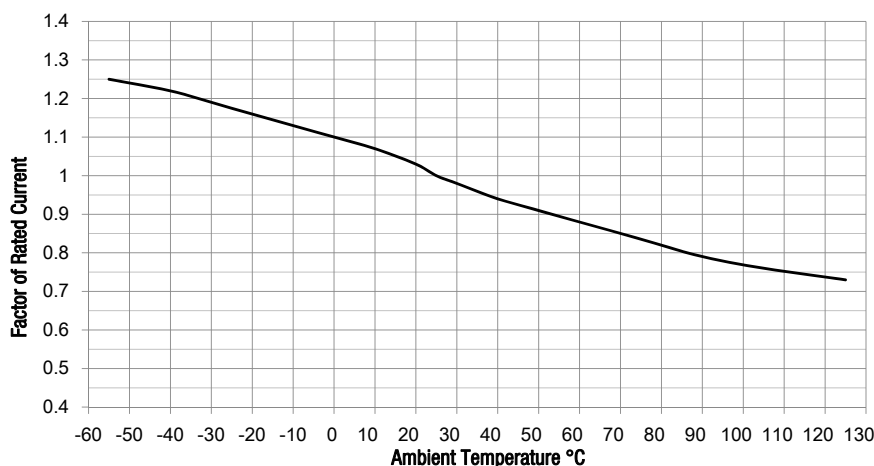


Infrared Reflow: 260°C, 30 seconds max.

Reflow-Soldering Parameter

Profile Feature	Lead(Pb) free solder
<ul style="list-style-type: none"> Temperature min.(T_{smin}) 	150°C
<ul style="list-style-type: none"> Temperature max. (T_{smax}) 	200°C
<ul style="list-style-type: none"> Time (T_{smin} to T_{smax}) (t_S) 	60 - 120 Seconds
Average ramp up rate T _{smax} to T _p	3°C / Second Max.
Liquidous temperature (T _L) Time at liquidous (t _L)	217°C 60 - 150 Seconds
Peak package body temperature (T _p)	260°C
Time (t _p) within 5°C of the specified classification temperature (T _c)	30 Seconds
Average ramp-down rate (T _p to T _{smax})	6°C / Second Max.
Time (25°C to Peak Temperature)	8 Minutes Max.

Temperature Derating Curve



Normal Operating Temperature: 25°C ± 2°C
 Operating Temperature: -55°C to 125°C with proper correction factor applied.
 Chart of correction factor
 Storage Temperature: -55°C to 125°C

Fast Acting | 2410(6.5x1.6mm)

Brick Fuses

2410BP Series

Time Current Curve

