

Volts-250 /200VDC Amps- 15 to 100A EV Fuses For Electric Vehicles

10CT3 Series

The Prosemi EV (Electric Vehicle) fuses are made of high strength ceramic tube and high purity melt, with unique arc extinction filling technology which is Prosemi's patent technology. The EV fuses are elaborately designed according to the actual driving status of EVs, with adherence to auto industry standards (JASO, D622/ISO8820). With high vibration durability, perfect transient current intermittent tolerance, eminent thermal shock resistance and favorable flame retardant ability, the Prosemi fuses will provide you protection whether the vehicle is traveling on a flat road or under a variety of harsh conditions.



Features

- Excellent DC performance
- Stud-mount, optional for other installation
- Designed to: UL248-20
- Comply RoHS directive

Applications

- DC drives Power Distribution Unit (PDU)
- Energy storage device
- Inverters
- EV&HEV Power Battery
- EV Charging module
- Maintenance Safety Disconnect (MSD)

Specification

Ordering P/N	Rated Current (A)	Rated Voltage/ Interrupting rating	I ² t (A ² sec)	Power Loss@0.5In (W)
			Pre-arcing	
10CT3-15A-x	15	250Vdc/50000A	670	0.33
10CT3-20A-x	20		980	0.51
10CT3-25A-x	25		1900	0.61
10CT3-30A-x	30		700	0.72
10CT3-40A-x	40		1300	1.03
10CT3-50A-x	50		2450	1.25
10CT3-63A-x	63		6750	1.53
10CT3-80A-x	80		8250	1.78
10CT3-100A-x	100	200Vdc/50000A	18000	2.3

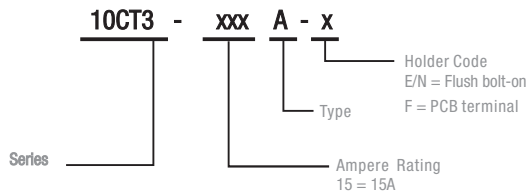
* I²t is measured with 10In

Volts-250 /200VDC Amps- 15 to 100A

EV Fuses For Electric Vehicles

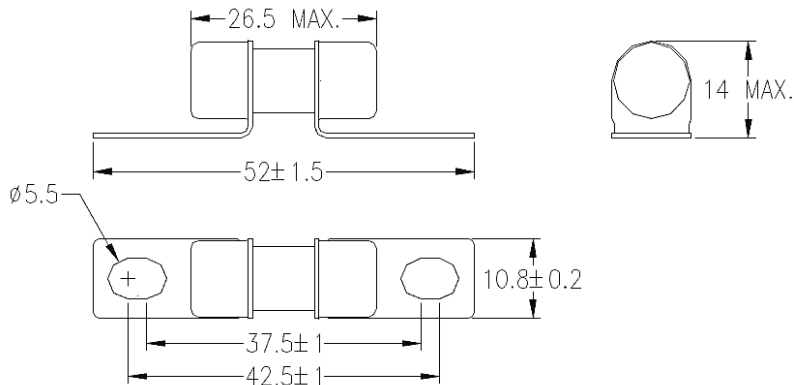
10CT3 Series

Part Numbering System

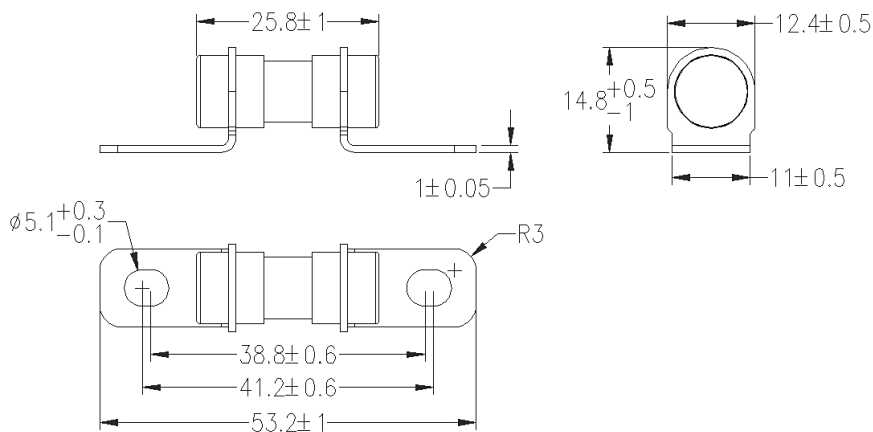


Dimension Unit: mm

10CT3-xxxA-E

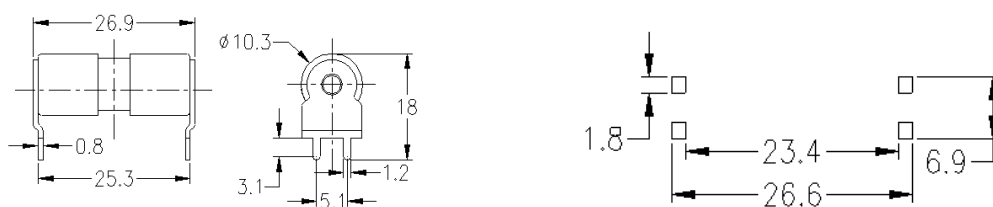


10CT3-xxxA-N



Note: recommend tightening torque is 4.5+/-1.0Nm.

10CT3-xxxA-F

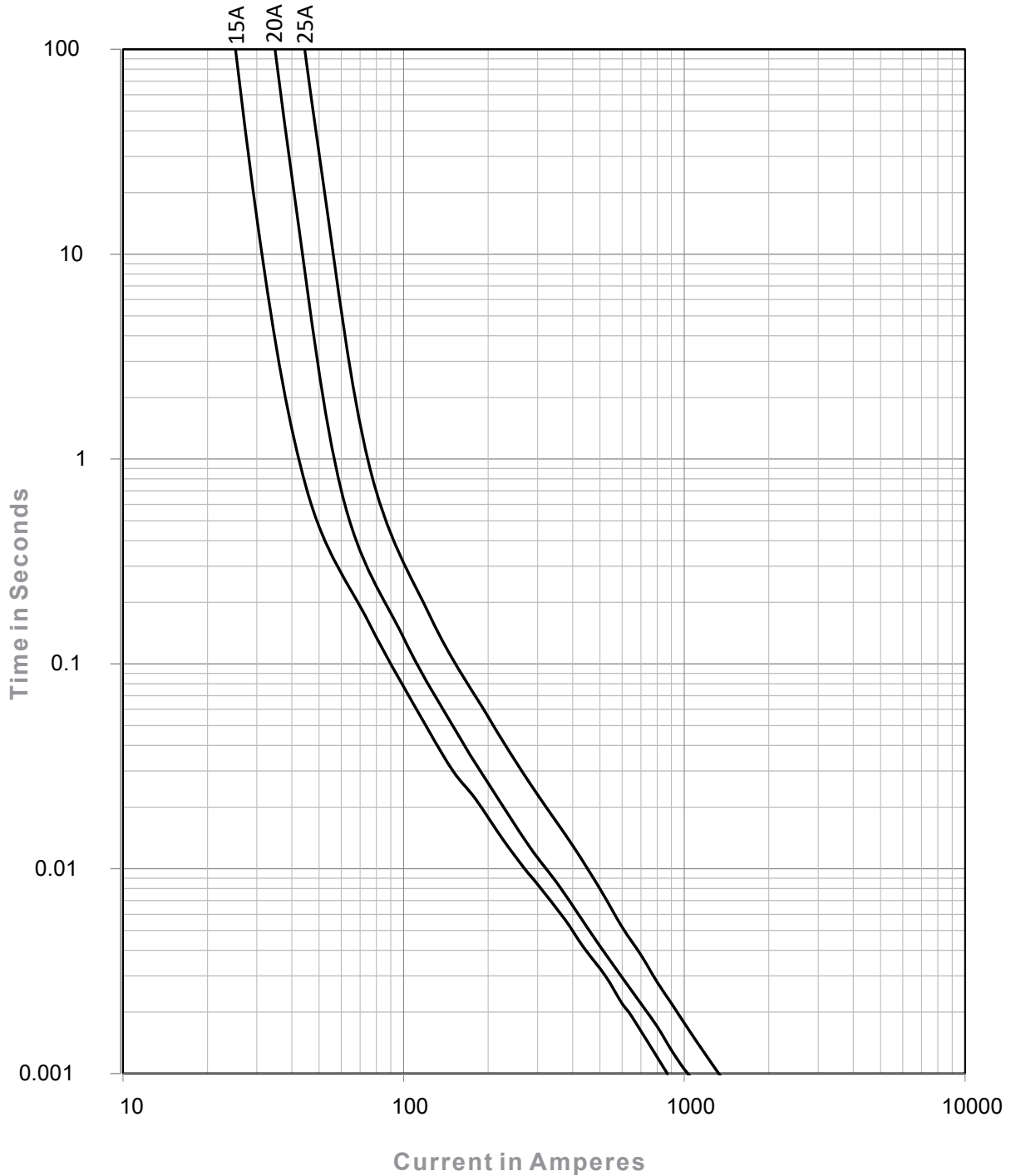


Volts-250 /200VDC Amps- 15 to 100A

EV Fuses For Electric Vehicles

10CT3 Series

Average Time Current Curves



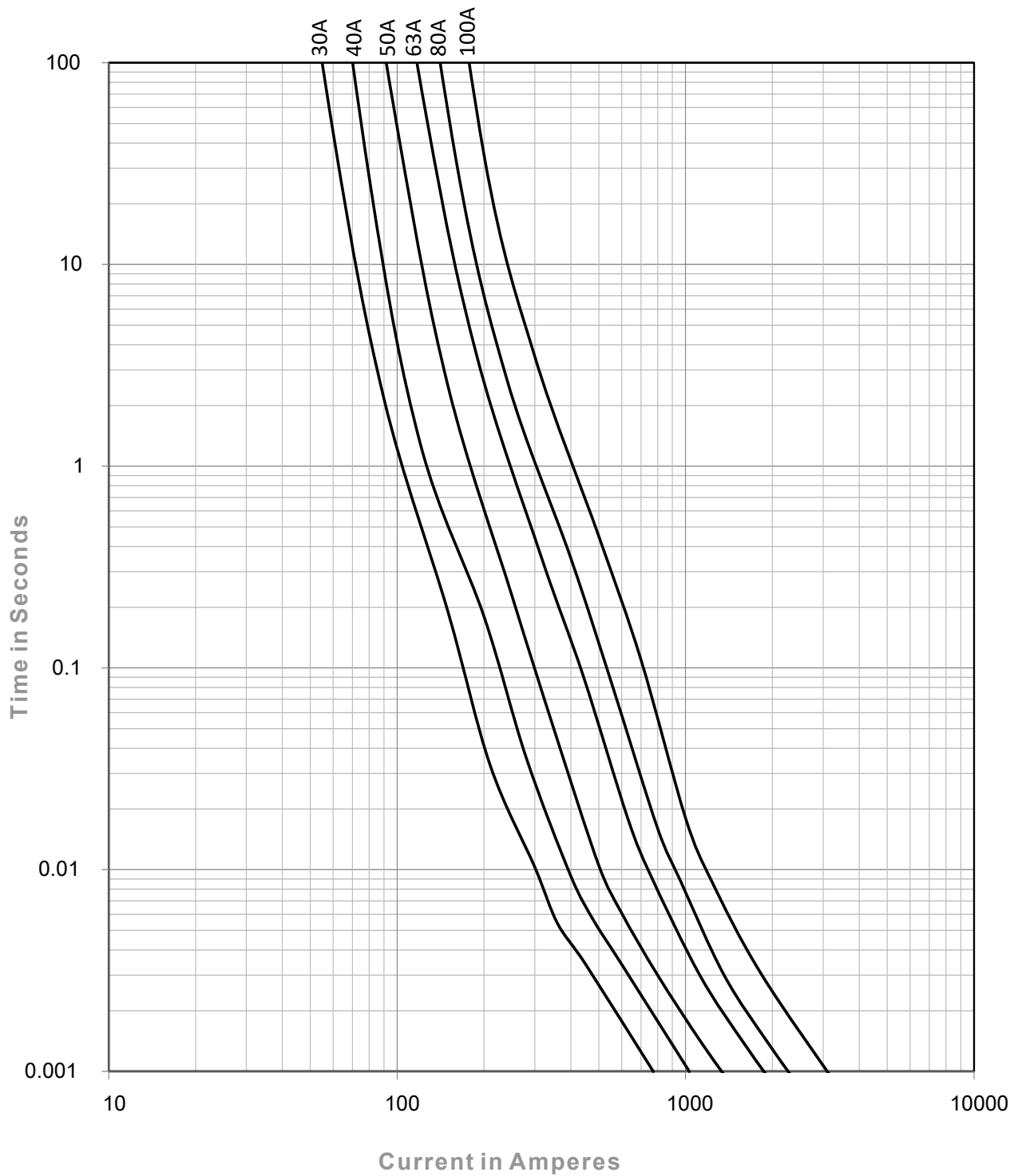
Note: The Min. Interrupting Current is 2.5In.

Volts-250 /200VDC Amps- 15 to 100A

EV Fuses For Electric Vehicles

10CT3 Series

Average Time Current Curves



Note: The Min. Interrupting Current is 2.5In.

Volts-250 /200VDC Amps- 15 to 100A

EV Fuses For Electric Vehicles

10CT3 Series

Transportation and Storage

During transportation and storage, should avoid water seepage and mechanical damage.

Conditions for operation in service

Where the following conditions apply, fuses complying with this standard are deemed capable of operating satisfactorily without further qualification.

- Normal temperature: -5°C to 40°C ;
- The altitude of the site of installation of the fuses does not exceed 2 000 m above sea level;
- The air is clean and its relative humidity does not exceed 50% at the maximum temperature of 40°C ;
- Higher relative humidities are permitted at lower temperatures, e.g. 90 % at 20°C ;
- Under these conditions, moderate condensation may occasionally occur due to variation in temperature.

For operation condition other than above, please contact manufacturer.

Vibration

Meet UL248-20 Section 8.6.2.3 Vibration Test C requirement, can be use on Electrical Vehicle application;

Temperature Rerating Curve

Operating Temperature: -40°C to $+125^{\circ}\text{C}$, with proper rerating factor applied

